



# AIR XD 10

2-way 1 x 10" Active Extended Definition Loudspeaker



## Key Features

- Custom 10-inch woofer with 2.36-inch voice coil for tight, punchy lows
- 1-inch high-frequency compression driver delivers clear, detailed highs
- Over 1,500W of Class D power for high headroom and clean performance
- Integrated 3-channel mixer with dual XLR/1/4" combo inputs and stereo 1/8" input
- Built-in Bluetooth® with TWS Bridge Mode for wireless stereo pairing
- Simple DSP presets for fast, optimized sound in any setting

## Applications

- Mobile sound reinforcement
- Permanent installation
- Sound reinforcement for small- to mid-sized venues

## Overview

The PreSonus AIR XD 10 active loudspeaker combines big sound with a compact footprint, delivering an extended frequency range and up to 130 dB of crystal-clear output. Powered by over 1,500W of efficient Class D amplification, its 10-inch custom woofer and 1-inch HF compression driver offer deep, punchy lows and detailed highs—all in a lightweight enclosure that fits easily in a car's backseat.

A full-color LCD screen gives you intuitive access to onboard tuning, EQ, and system settings. Select from multiple DSP presets optimized for front-of-house, stage monitoring, music playback, speech clarity, or enhanced low-end warmth. Treble and bass controls offer  $\pm 10$  dB adjustment, and location presets ensure optimal performance whether the speaker is flown, bracket-mounted, or on a stand.

With two mic/line combo inputs, an aux input, and a mix output, the AIR XD 10 supports a wide range of sound sources. Built-in Bluetooth with TWS Bridge Mode allows wireless stereo pairing with a second AIR XD 10—ideal for mobile DJs, weddings, corporate events, or any portable setup.

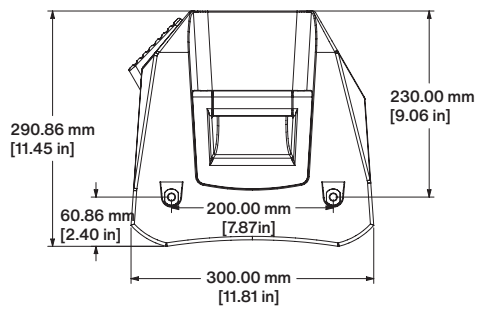
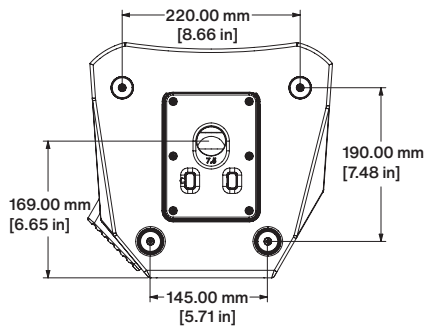
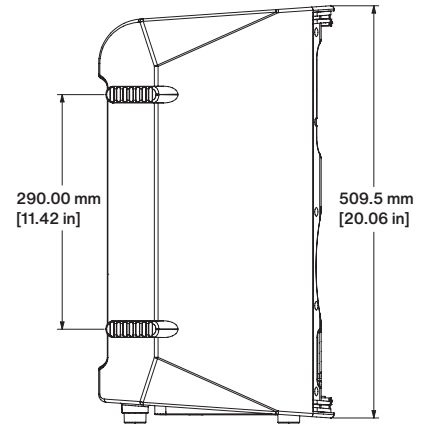
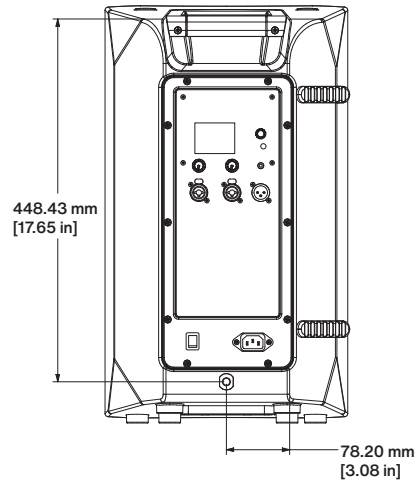
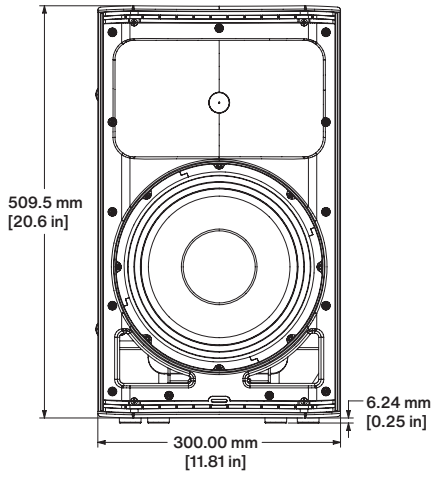
The versatile cabinet design includes non-skid rubber feet for front-of-house or wedge monitor use, M10 fly points, and a dual-position pole mount for level or 7.5° downward tilt. It can also be tripod-mounted or paired with AIR-series subwoofers using an optional pole mount.

Whether for mobile gigs or fixed installations, the AIR XD 10 delivers professional-grade sound, rugged flexibility, and smart connectivity in a compact, road-ready package.

## Technical specifications

<b>Type</b>	Active 2-way
<b>LF Driver</b>	10" (2.36" Voice Coil)
<b>HF Driver</b>	1" Compression
<b>Amplifier Type</b>	Class D
<b>Total System Power</b>	1500W
<b>LF Driver Power</b>	1060W
<b>HF Driver Power</b>	468W
<b>Frequency Range (+/- 3dB)</b>	66 Hz to 20 kHz
<b>Frequency Range (+/- 10dB)</b>	55 Hz to 20 kHz
<b>Crossover Frequency</b>	2.2 kHz
<b>Maximum Peak SPL</b>	130 dB
<b>Coverage Pattern</b>	90° (H) x 60° (V)
<b>DSP</b>	Speaker modes, Location, Bass, Treble
<b>Channels</b>	Three
<b>Inputs</b>	Four: 2 x XLR/TRS Mic/Line Combo 1 x 1/8" TRS Stereo Bluetooth Stereo
<b>Output</b>	Direct Line Out (XLR)
<b>TWS Pairing</b>	Bluetooth
<b>Power Connection</b>	IEC
<b>Power Consumption</b>	3.3A (230V-50Hz) 6.6A (120V)
<b>Enclosure</b>	H-PP Molded
<b>Suspension</b>	M10 Suspension Points Flypoints: 2 Top, 1 Back
<b>Grille Material</b>	1.2 mm steel
<b>Pole Socket</b>	Dual Position (0°, 7.5°)
<b>Dimensions (H x W x D)</b>	20.3" x 11.8" x 11.5" (516 mm x 300 mm x 291 mm)
<b>Weight</b>	30.9 lbs. (13.8 kg)
<b>Optional Accessories</b>	AIR 10 / AIR XD 10 Tote Bag

# Dimensions





# AIR XD 12

2-way 1 x 12" Active Extended Definition Loudspeaker



## Key Features

- Custom 12-inch woofer with 2.56-inch voice coil for deep, powerful lows
- 1.35-inch high-frequency compression driver delivers clear, detailed highs
- Over 1,500W Class D amplification for high-output, clean sound
- Integrated mixer with two XLR/1/4" combo inputs plus stereo 1/8" aux input
- Built-in Bluetooth® with TWS Bridge Mode for easy wireless stereo pairing
- User-friendly DSP presets for quick, optimized sound in any setting

## Applications

- Mobile sound reinforcement
- Permanent installation
- Sound reinforcement for small- to mid-sized venues

## Overview

The compact and lightweight PreSonus AIR XD 12 delivers powerful, high-fidelity sound with an extended frequency response—all in an enclosure small enough to fit in the backseat of your car. Featuring a 12-inch woofer and 1.35-inch high-frequency compression driver, it's driven by over 1,500W Class D power, reaching up to 132 dB with remarkable punch and clarity.

A large, full-color LCD screen provides clear metering and easy access to onboard system tuning, EQ, and more. Choose from presets tailored for front-of-house, monitor wedges, music playback, speech clarity, or enhanced low-end warmth. Adjustable treble and bass controls offer  $\pm 10$  dB boost or cut to fine-tune your sound, while location presets optimize performance for stand, bracket, or flown applications.

Connectivity is versatile, with two mic/line combo inputs, an auxiliary input, and a mix output for flexible integration. The built-in Bluetooth module delivers fast, reliable wireless streaming and includes TWS Bridge Mode to pair two speakers for true stereo—ideal for weddings, parties, corporate events, and more.

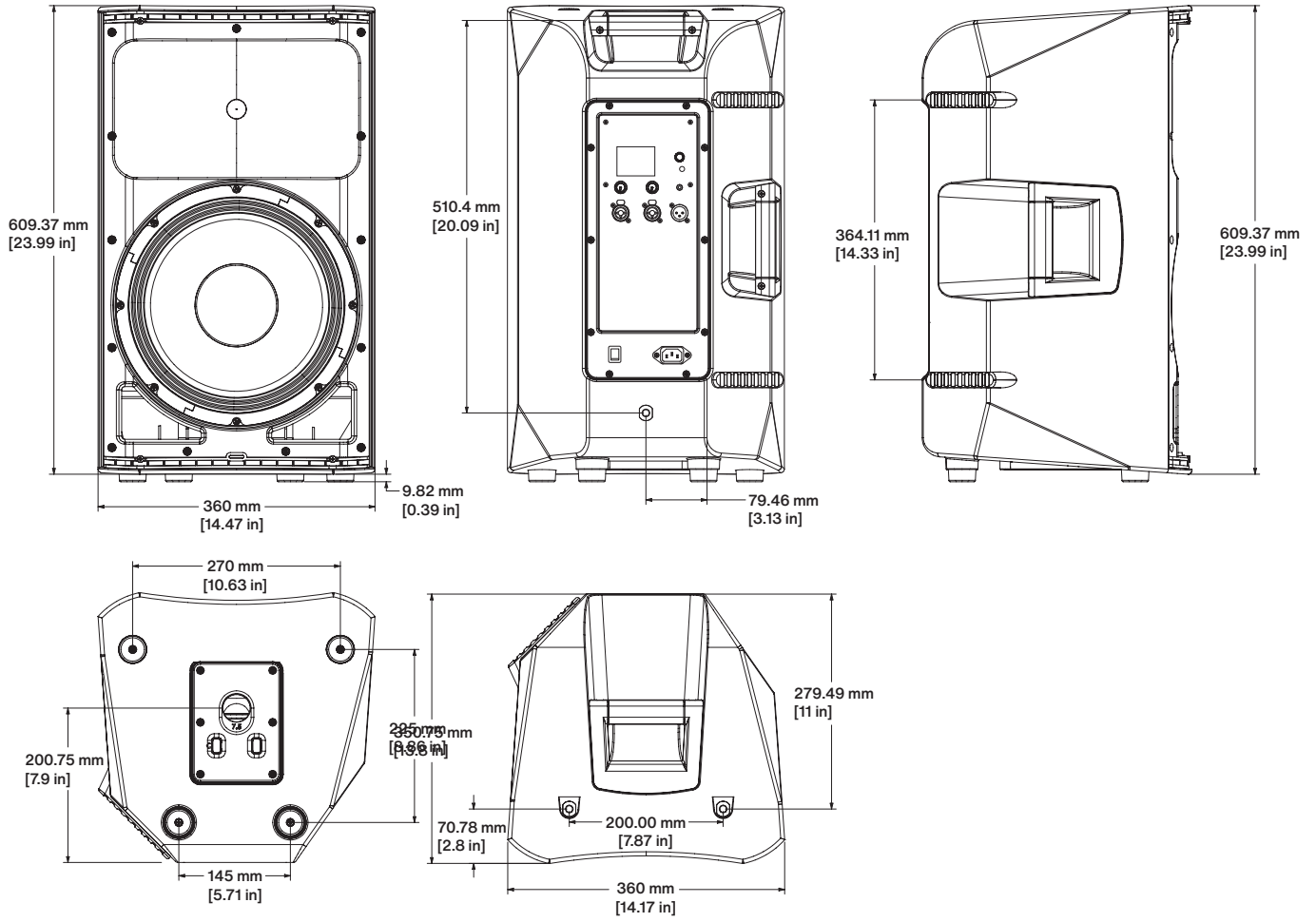
The multi-angle cabinet features nonskid rubber feet on the bottom for front-of-house use and on the side for wedge monitoring. Rig it using M10 fly points, ground-stack it for portable setups, mount on a tripod, or place atop an AIR-series subwoofer using an optional pole. The integrated dual-position pole mount lets you position the speaker level or at a 7.5° downward tilt.

With professional-grade features, exceptional sound quality, and flexible connectivity, the AIR XD 12 is a versatile choice for both mobile and installed sound applications requiring power, clarity, and portability.

## Technical specifications

<b>Type</b>	Active 2-way
<b>LF Driver</b>	12" (2.56" Voice Coil)
<b>HF Driver</b>	1.35" Compression
<b>Amplifier Type</b>	Class D
<b>Total System Power</b>	1500W
<b>LF Driver Power</b>	1060W
<b>HF Driver Power</b>	468W
<b>Frequency Range (+/- 3dB)</b>	51 Hz to 20 kHz
<b>Frequency Range (+/- 10dB)</b>	48 Hz to 20 kHz
<b>Crossover Frequency</b>	1.6 kHz
<b>Maximum Peak SPL</b>	132 dB
<b>Coverage Pattern</b>	90° (H) x 60° (V)
<b>DSP</b>	Speaker modes, Location, Bass, Treble
<b>Channels</b>	Three
<b>Inputs</b>	Four: 2 x XLR/TRS Mic/Line Combo 1 x 1/8" TRS Stereo Bluetooth Stereo
<b>Output</b>	Direct Line Out (XLR)
<b>TWS Pairing</b>	Bluetooth
<b>Power Connection</b>	IEC
<b>Power Consumption</b>	3.3A (230V-50Hz) 6.6A (120V)
<b>Enclosure</b>	H-PP Molded
<b>Suspension</b>	M10 Suspension Points Flypoints: 2 Top, 1 Back
<b>Grille Material</b>	1.2 mm steel
<b>Pole Socket</b>	Dual Position (0°, 7.5°)
<b>Dimensions (H x W x D)</b>	24.4" x 14.2" x 13.8" (619 mm x 360 mm x 351 mm)
<b>Weight</b>	43.3 lbs. (19.5 kg)
<b>Optional Accessories</b>	AIR 12 / AIR XD 12 Tote Bag

# Dimensions





# AIR XD 15

2-way 1 x 15" Active Extended Definition Loudspeaker



## Key Features

- Custom 15-inch woofer with 2.56-inch voice coil for deep, powerful bass
- 1.35-inch high-frequency compression driver delivers clear, articulate highs
- Over 1,500W of Class D power for clean, high-output performance
- Built-in mixer with two XLR/1/4" combo inputs and a stereo 1/8" aux input
- Bluetooth® with TWS Bridge Mode for wireless stereo speaker pairing
- Intuitive DSP presets for fast, optimized sound in any application

## Applications

- Mobile sound reinforcement
- Permanent installation
- Sound reinforcement for small- to mid-sized venues

## Overview

The compact, lightweight PreSonus AIR XD 15 delivers powerful, high-fidelity sound with an extended frequency response—all in a portable enclosure that easily fits in the backseat of a car. Equipped with a 15-inch woofer and 1.35-inch high-frequency compression driver, it's powered by over 1,500W of Class D amplification, reaching an impressive 134 dB with exceptional punch and clarity.

A large color LCD provides precise metering and easy access to onboard system tuning, EQ, and presets. Quickly optimize sound for front-of-house, stage monitors, music playback, speech clarity, or enhanced low-end warmth. Treble and bass controls offer  $\pm 10$  dB adjustment to compensate for room acoustics, while location presets tailor performance for stands, brackets, or flown setups.

Connectivity includes two mic/line combo inputs, an auxiliary input, and a mix output for versatile signal routing. Built-in Bluetooth with TWS Bridge Mode enables reliable wireless streaming and seamless stereo pairing—ideal for weddings, parties, corporate events, and more.

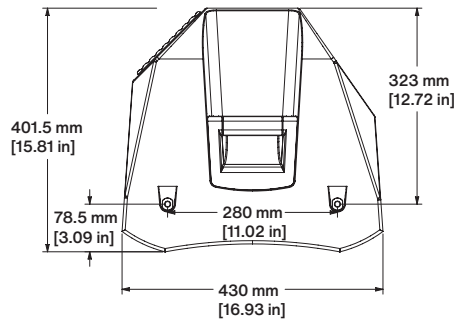
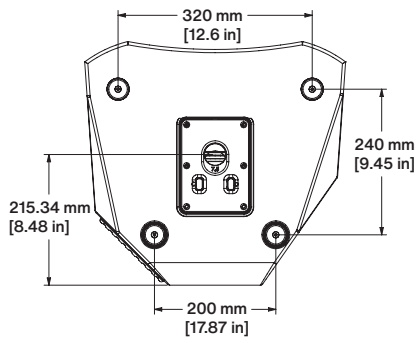
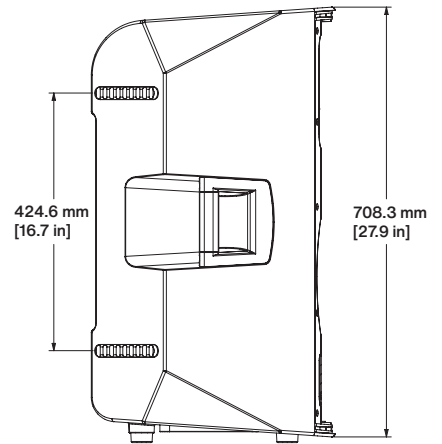
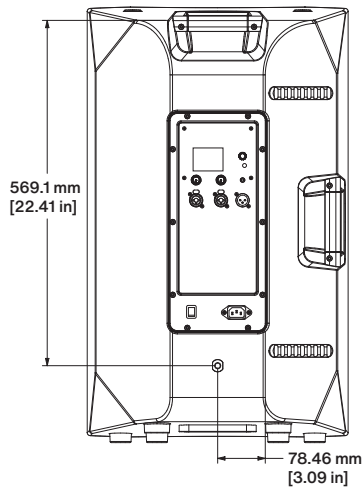
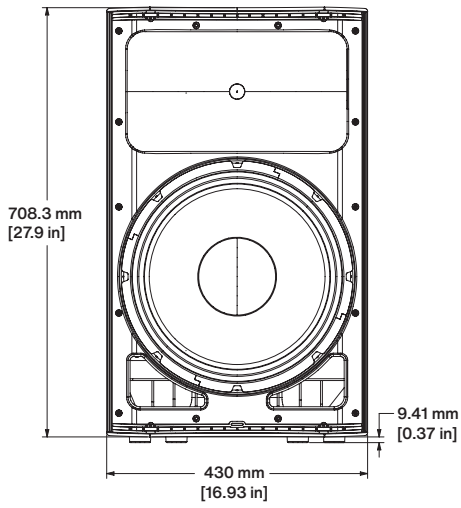
The multi-angle cabinet features nonskid rubber feet for upright or stage monitor use, M10 fly points for rigging, and can be ground-stacked, tripod-mounted, or placed atop an AIR-series subwoofer with an optional pole. An integrated dual-position pole mount lets you set the speaker level or at a 7.5° downward tilt.

With pro-grade features, powerful output, and flexible connectivity, the AIR XD 15 is a versatile choice for mobile and installed sound applications requiring clarity, volume, and portability.

## Technical specifications

<b>Type</b>	Active 2-way
<b>LF Driver</b>	15" (2.56" Voice Coil)
<b>HF Driver</b>	1.35" Compression
<b>Amplifier Type</b>	Class D
<b>Total System Power</b>	1500W
<b>LF Driver Power</b>	1060W
<b>HF Driver Power</b>	468W
<b>Frequency Range (+/- 3dB)</b>	47 Hz to 20 kHz
<b>Frequency Range (+/- 10dB)</b>	40 Hz to 20 kHz
<b>Crossover Frequency</b>	1.6 kHz
<b>Maximum Peak SPL</b>	134 dB
<b>Coverage Pattern</b>	90° (H) x 60° (V)
<b>DSP</b>	Speaker modes, Location, Bass, Treble
<b>Channels</b>	Three
<b>Inputs</b>	Four: 2 x XLR/TRS Mic/Line Combo 1 x 1/8" TRS Stereo Bluetooth Stereo
<b>Output</b>	Direct Line Out (XLR)
<b>TWS Pairing</b>	Bluetooth
<b>Power Connection</b>	IEC
<b>Power Consumption</b>	3.3A (230V-50Hz) 6.6A (120V)
<b>Enclosure</b>	H-PP Molded
<b>Suspension</b>	M10 Suspension Points Flypoints: 2 Top, 1 Back
<b>Grille Material</b>	1.2 mm steel
<b>Pole Socket</b>	Dual Position (0°, 7.5°)
<b>Dimensions (H x W x D)</b>	27.9" x 16.9" x 15.8" (709 mm x 429 mm x 402 mm)
<b>Weight</b>	51.3 lbs. (23.1 kg)
<b>Optional Accessories</b>	AIR 15 / AIR XD 15 Tote Bag

# Dimensions





# AIR XD SUB 15

1 x 15" Active Extended Definition Subwoofer



## Key Features

- Powerful 15-inch woofer with 3-inch voice coil for deep, defined bass
- 2000W Class D amplification delivers up to 128 dB of clean output
- Extended 32 Hz–131 Hz frequency response for tight, low-end coverage
- Dual XLR/¼" combo inputs with direct outputs for flexible routing
- Built-in Bluetooth® with TWS Bridge Mode for easy wireless stereo pairing
- Adjustable lowpass filter (60–150 Hz) ensures smooth crossover to tops
- Presets for ground-stacked and end-fire arrays enable fast cardioid setups

## Applications

- Mobile sound reinforcement
- Permanent installation
- Sound reinforcement for small- to mid-sized venues

## Overview

Designed for both mobile setups and permanent installations, the PreSonus AIR XD Sub 15 active subwoofer delivers deep, accurate low-end performance that perfectly complements any full-range PA—especially the AIR XD-series. Its 15-inch low-frequency driver with a 3-inch voice coil is powered by a robust 2000W Class D amplifier, producing clean, powerful bass down to 32 Hz and output levels up to 128 dB.

Advanced onboard DSP makes system integration fast and easy. A variable lowpass filter (60 Hz–150 Hz) lets you fine-tune the crossover point for a seamless transition to your tops, while custom presets optimize performance with AIR XD full-range loudspeakers. An onboard alignment delay and array presets simplify the setup of ground-stacked and end-fire subwoofer arrays. A vibrant full-color display provides intuitive control and precise metering.

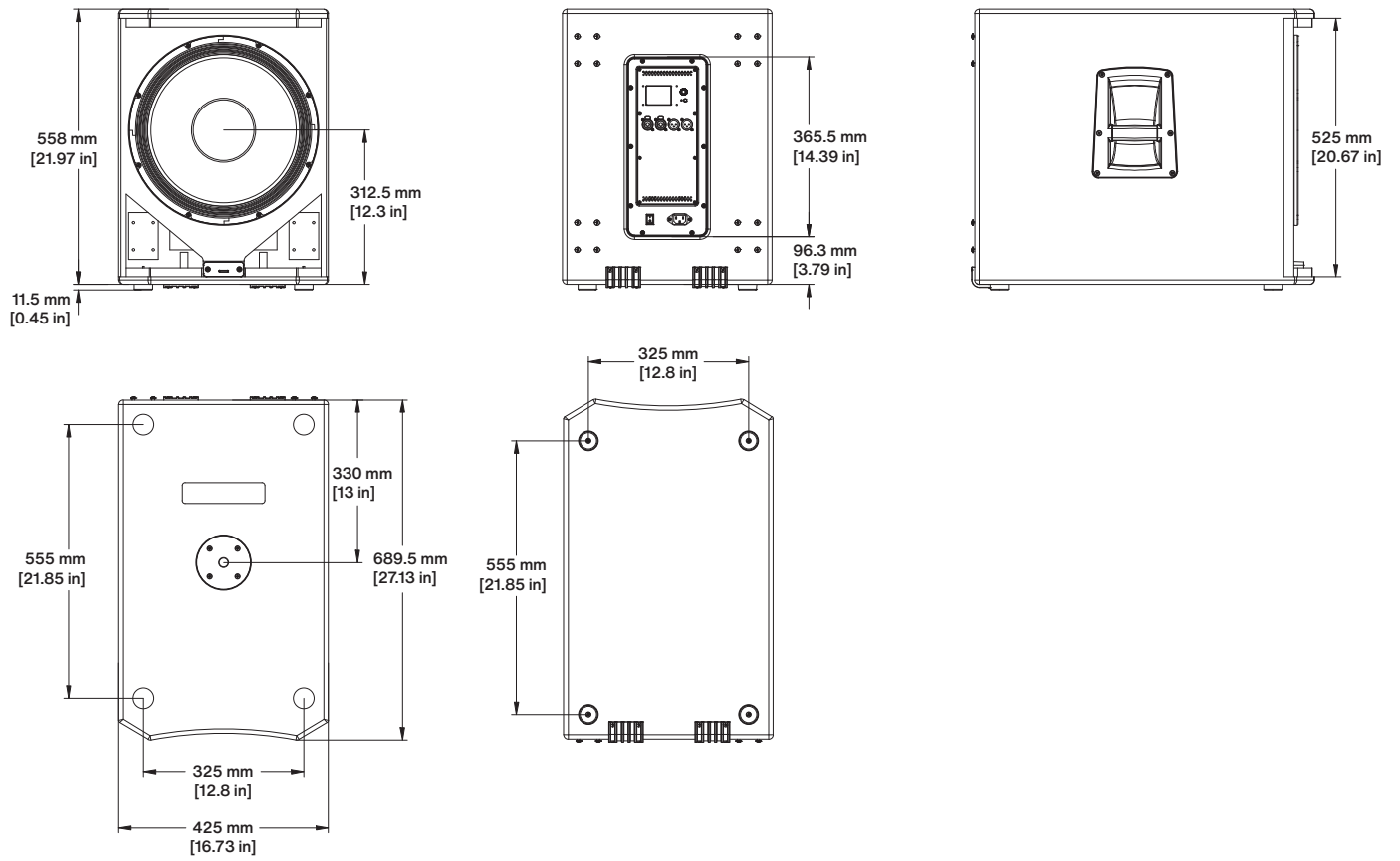
Connectivity is flexible, with two mic/line combo inputs and direct outputs to accommodate a wide range of signal paths. Integrated Bluetooth with TWS Bridge Mode allows you to pair with a second speaker for wireless stereo playback—ideal for mobile DJs, weddings, corporate events, and more.

Despite its high output, the AIR XD Sub 15 is compact, lightweight, and road-ready. Housed in a durable 15mm wood enclosure, it includes ergonomic side handles, ground-stacking features, and built-in hardware for the included caster kit—making it easy to transport and deploy in any environment.

## Technical specifications

<b>Type</b>	Active vented design
<b>LF Driver</b>	15" (3" Voice Coil)
<b>Amplifier Type</b>	Class D
<b>Total System Power</b>	2000W
<b>Frequency Range (+/- 3dB)</b>	39 Hz to 95 Hz
<b>Frequency Range (+/- 10dB)</b>	32 Hz to 131 Hz
<b>Crossover Frequency</b>	Variable: 60 Hz to 150 Hz
<b>Maximum Peak SPL</b>	128 dB
<b>DSP</b>	Low-pass EQ, crossover, delay, array modes, polarity and "Mo'Bass" mode
<b>Channels</b>	Two
<b>Inputs</b>	Three: 2 x XLR/TRS Line Combo Bluetooth Stereo
<b>Output</b>	2x XLR Link Out
<b>TWS Pairing</b>	Bluetooth
<b>Power Connection</b>	IEC
<b>Power Consumption</b>	5.6A (230V-50Hz) 11.1A (120V)
<b>Enclosure</b>	H-PP Molded
<b>Grille Material</b>	1.5 mm steel
<b>Mounting</b>	Ground Stack Provisions, Integrated pole cup
<b>Dimensions (H x W x D)</b>	24" x 16.7" x 23.9" (610 mm x 424 mm x 606 mm)
<b>Weight</b>	70.5 lbs. (32 kg)
<b>Optional Accessories</b>	AIR Sub 15 Cover

# Dimensions





# AIR XD SUB 18

1 x 18" Active Extended Definition Subwoofer



## Key Features

- High-performance 18-inch woofer with 3-inch voice coil for deep, defined bass
- 2000W Class D power delivers up to 130 dB of clean, powerful low-end
- Extended 33 Hz–131 Hz frequency response for extended sub-bass coverage
- Dual XLR/¼" combo inputs with direct outputs for flexible signal routing
- Integrated Bluetooth® with TWS Bridge Mode for easy stereo wireless playback
- Adjustable lowpass filter (60–150 Hz) ensures smooth crossover to mains
- Presets for ground-stacked and end-fire arrays enable fast cardioid configurations

## Applications

- Mobile sound reinforcement
- Permanent installation
- Sound reinforcement for small- to mid-sized venues

## Overview

Equally suited for mobile systems and fixed installations, the PreSonus AIR XD Sub 18 active subwoofer delivers powerful, accurate low-end performance and integrates seamlessly with any full-range PA—especially the AIR XD-series. Its 18-inch woofer with a 3-inch voice coil is powered by 2000W of Class D amplification, providing deep, punchy bass down to 33 Hz and output levels up to 130 dB.

Advanced onboard DSP makes setup and tuning fast and easy. A variable lowpass filter (60–150 Hz) lets you fine-tune crossover points for smooth transitions to your mains. Presets for AIR XD full-range loudspeakers ensure plug-and-play integration, while onboard alignment delay and array presets allow quick configuration of ground-stacked or end-fire subwoofer arrays. A full-color display offers intuitive navigation, precise metering, and easy control of all settings.

The AIR XD Sub 18 includes two XLR/¼" combo inputs with direct outputs for flexible signal routing. Built-in Bluetooth with TWS Bridge Mode enables reliable wireless audio streaming and stereo pairing with a second speaker—ideal for mobile events, parties, and corporate setups.

Despite its size and output, the AIR XD Sub 18 is compact, portable, and rugged. Its 15mm tour-grade wood enclosure includes ergonomic side handles, integrated caster mounts, and ground-stacking provisions—making it easy to transport and deploy for both touring and installed sound environments

## Technical specifications

<b>Type</b>	Active vented design
<b>LF Driver</b>	18" (3" Voice Coil)
<b>Amplifier Type</b>	Class D
<b>Total System Power</b>	2000W
<b>Frequency Range (+/- 3dB)</b>	47 Hz to 103 Hz
<b>Frequency Range (+/- 10dB)</b>	33 Hz to 131 Hz
<b>Crossover Frequency</b>	Variable: 60 Hz to 150 Hz
<b>Maximum Peak SPL</b>	130 dB
<b>DSP</b>	Low-pass EQ, crossover, delay, array modes, polarity and "Mo'Bass" mode
<b>Channels</b>	Two
<b>Inputs</b>	Three: 2 x XLR/TRS Line Combo Bluetooth Stereo
<b>Output</b>	2x XLR Link Out
<b>TWS Pairing</b>	Bluetooth
<b>Power Connection</b>	IEC
<b>Power Consumption</b>	5.6A (230V-50Hz) 11.1A (120V)
<b>Enclosure</b>	H-PP Molded
<b>Grille Material</b>	1.5 mm steel
<b>Mounting</b>	Ground Stack Provisions, Integrated pole cup
<b>Dimensions (H x W x D)</b>	26" x 19.3" x 25.8" (660 mm x 490 mm x 656 mm)
<b>Weight</b>	88.4 lbs. (39.8 kg)
<b>Optional Accessories</b>	AIR 18S / AIR Sub 18 Cover

# Dimensions

